

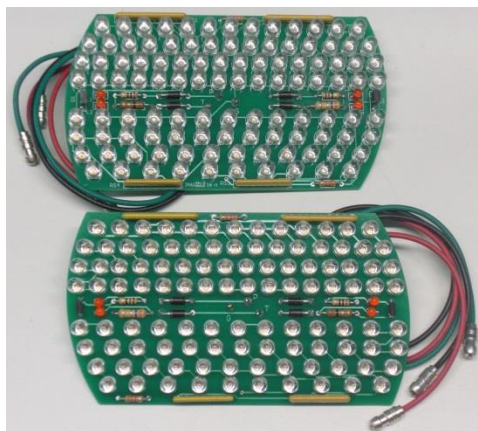
## Jaguar XKE Series II/III Front Turn Signal LED Lights

- 1) We suggest that you evaluate the condition of the turn signal lens gaskets and if necessary order new ones before starting installation. Note: These LED lights are designed to function as both running lights and turn signals.
- 2) Remove the turn signal lens and bulb. The small parking light bulb remains in its socket. Disconnect the turn signal wire to the bulb holder. Push this wire out through the lens side of the turn signal. Save these in case you want to restore the turn signals to their original state.
- 3) The circuit boards are installed as shown in the picture. Take one of the circuit boards and insert the wires back through the bulb socket. Add a spot of silicon adhesive or hot melt glue to each corner of the circuit board.
- 4) Install the lens and gasket.
- 5) The red wire is for the optional running light function. We think it is a safety feature and recommend its use where allowed. If not used, cut the red wire off or tape it to prevent shorting the circuit board. Refer to the wiring diagram below for proper wiring.
- 6) Repeat for the other side of the car.
- 7) **NOTE:** See [LED Flasher Options](#) page for information about turn signal flashers and LEDs.



### Parts List

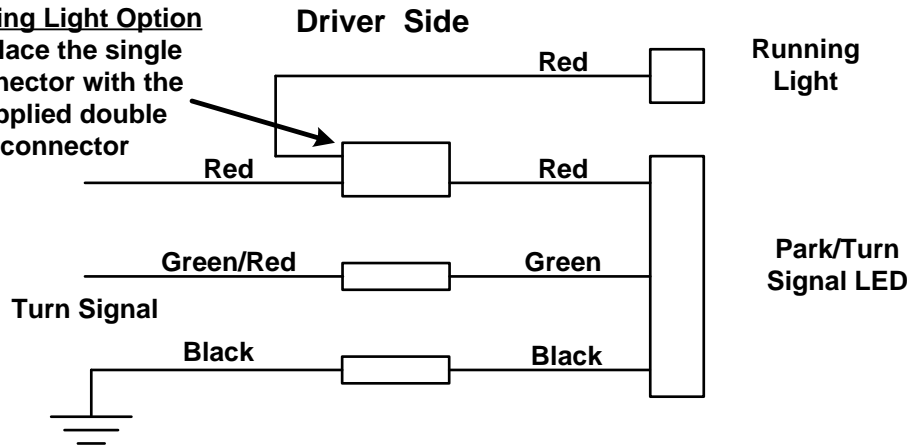
	Description	Qty.
1	<b>Double bullet connector</b>	2
2	<b>Park/Turn Signal circuit boards</b>	2



## XKE Series I/II/III LED Front Turn Signals

**Running Light Option**

Replace the single connector with the supplied double connector



**Running Light Option**

Replace the single connector with the supplied double connector

